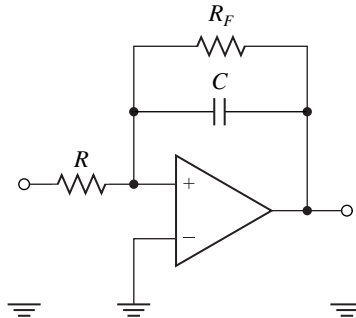
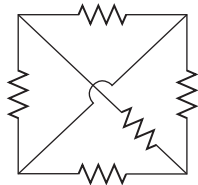
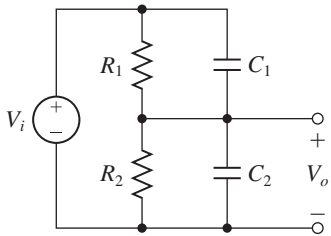
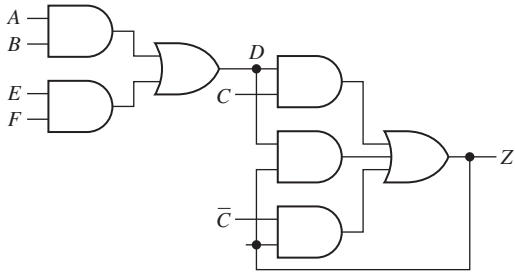


# CIRCUIT SCHEMATICS



# CIRCUIT SYMBOLS

